



Construction equipment

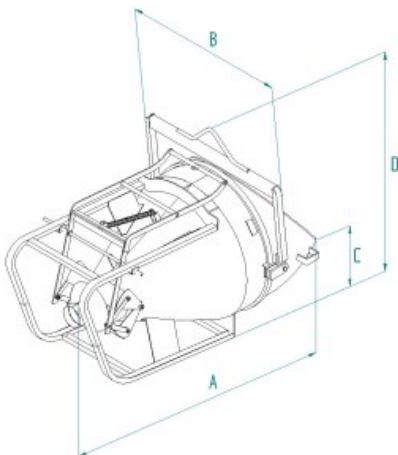
SCHEDA PRODOTTO

CONCRETE BUCKETS

Laydown concrete skip

BCF-T Model

Laydown concrete bucket with rubber hose Opening by lever



MODEL	CAP. (Lt)	DIMENSIONS (mm)				CAP. (kg)	WEIGHT (kg)
		A	B	C	D		
BCF-30T	300	1964	1269	627	1495	780	270
BCF-50T	500	2098	1269	643	1512	1300	280
BCF-75T	750	2386	1529	763	1780	1950	325
BCF-99T	1000	2569	1529	786	1806	2600	360
BCF-150T	1500	2781	1884	974	2033	3900	695
BCF-200T	2000	3031	1884	974	2033	5200	750



Boscaro srl

Via G. Cederle, 1 - 36020
Campiglia dei Berici (Vicenza) Italy

Tel +39 0444 866520
Fax +39 0444 866350
P.IVA: 00672450244